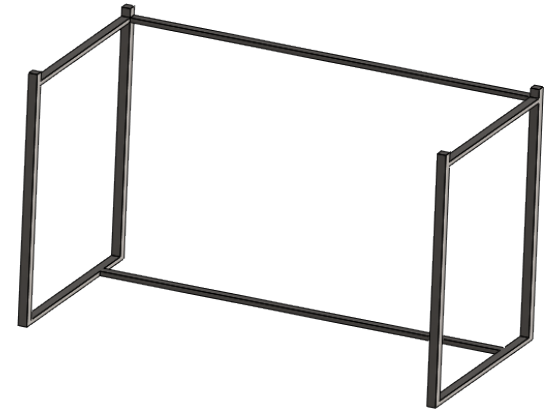
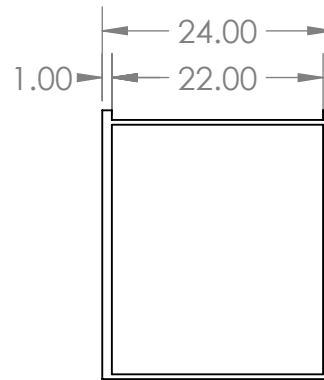
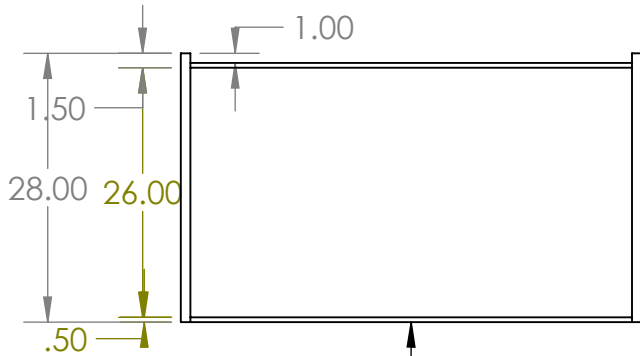
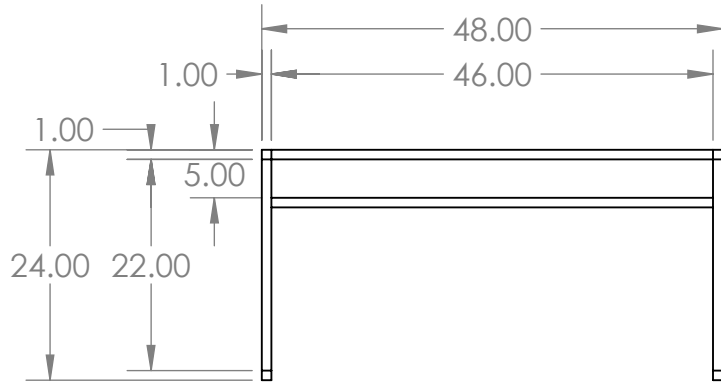


ITEM NO.	TITLE	MATERIAL
1	FRAME	STAINLESS STEEL



UNLESS OTHERWISE SPECIFIED:

DIMENSIONS ARE IN INCHES
 TOLERANCES: ±0.1
 FRACTIONAL ±
 ANGULAR: MACH ± BEND ±
 TWO PLACE DECIMAL ±
 THREE PLACE DECIMAL ±

INTERPRET GEOMETRIC
 TOLERANCING PER:

MATERIAL
 Steel

FINISH

DO NOT SCALE DRAWING

	NAME	DATE
DRAWN	KR	
CHECKED		
ENG APPR.		
MFG APPR.		
Q.A.		

COMMENTS:

TITLE:

FRAME

SIZE	DWG. NO.	REV
A	1	0
SCALE: 1:20 WEIGHT:		SHEET 1 OF 1